



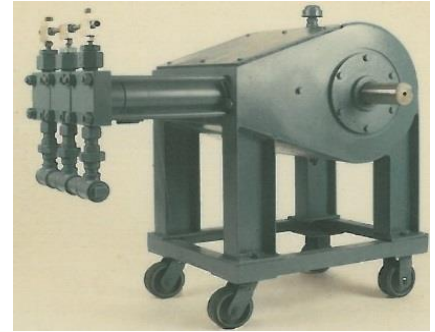
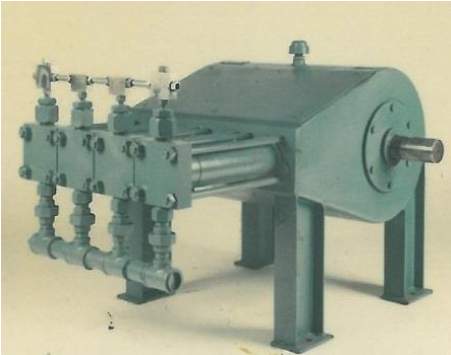
McFarland-Tritan, LLC

The "High Pressure" Specialists!

MAC P-38 / P- 48 / P- 68

**HIGH PRESSURE-VOLUME
HYDROSTATIC TESTING PUMPS**

Flow Capacity up to 142.7 GPM | Discharge Pressure up to 40,000 PSI



FEATURES

- The MAC P38/P48/P68 Series are designed for reliable high pressure service through a wide range of volume.
- Rugged construction and are especially suitable for hydrostatic testing and hydro blasting.
- Designed for high pressure chemical injection applications and can be customized for fixed or variable volume requirements as well.
- Wetted Parts, Stainless Steel, Monel, Bronze, Steel
- Plunger Packing Easily Tightened From Outside
- All Parts Easily Accessible
- Available in either electric or diesel powered units, mounted on skid, trailer or truck to meet your specific requirements.
- Trouble free for extended running times if proper lubrication and reasonable care of the pump is maintained.
- Net pump weight (P38) 850 lbs., (P48) 1,100 lbs., and (P68) 1,500 lbs.
- Shipping Cube (P38) 40.5 ft., (P48) 52.5 ft., and (P68) 69.5 ft.

Plunger Size(in)	GPM @ 175 rpm			@ 100 psi Input Pressure	
	P-38 50 HP	P-48 65 HP	P -68 100 HP	Max Output Pressure	Speed Stroke/Minute
1/2"	1.456	1.941	2.912	40,000	175 (10:1)
5/8"	2.275	3.033	4.550	25,500	175 (10:1)
3/4"	3.276	4.368	6.551	17,800	175 (10:1)
1"	5.824	7.765	11.647	10,000	175 (10:1)
1 1/4"	9.099	12.132	18.199	6,400	175 (10:1)
1 1/2"	13.103	17.471	26.206	4,450	175 (10:1)
1 3/4"	17.835	23.779	35.669	3,270	175 (10:1)
2"	23.294	31.059	46.588	2,500	175 (10:1)
2 1/4"	29.482	39.309	58.963	1,980	175 (10:1)
2 1/2"	36.397	48.530	72.794	1,600	175 (10:1)
2 3/4"	44.041	58.721	88.081	1,320	175 (10:1)
3"	52.412	69.883	104.824	1,110	175 (10:1)
3 1/2"	71.338	95.118	142.677	810	175 (10:1)

921 Seaco Court, Deer Park, TX 77536, USA

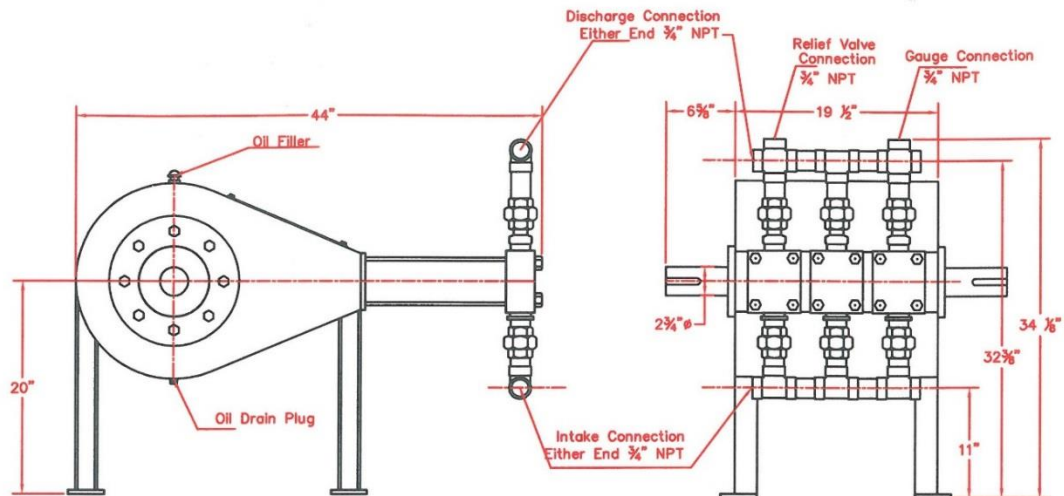
Tel: 1-713-864-3366 /

Fax: 1-713-864-3252

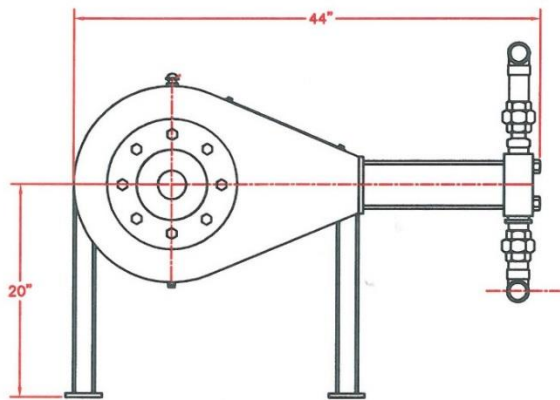
Email: sales@mcfarlandpump.com

www.mcfarlandpumpgroup.com

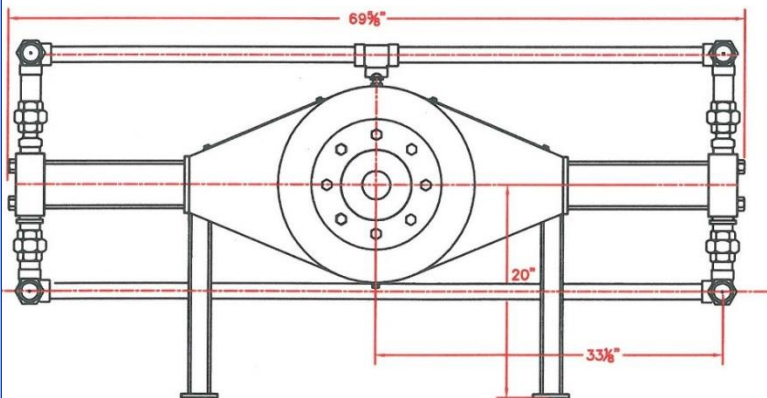
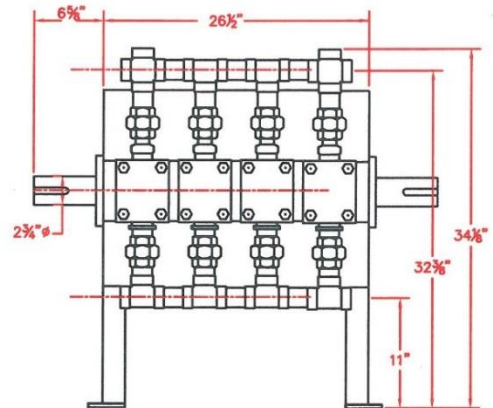
MAC P-38, P-48, P-68 DIMENSIONS



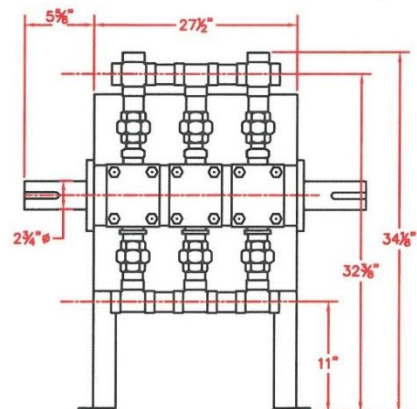
MAC P-38



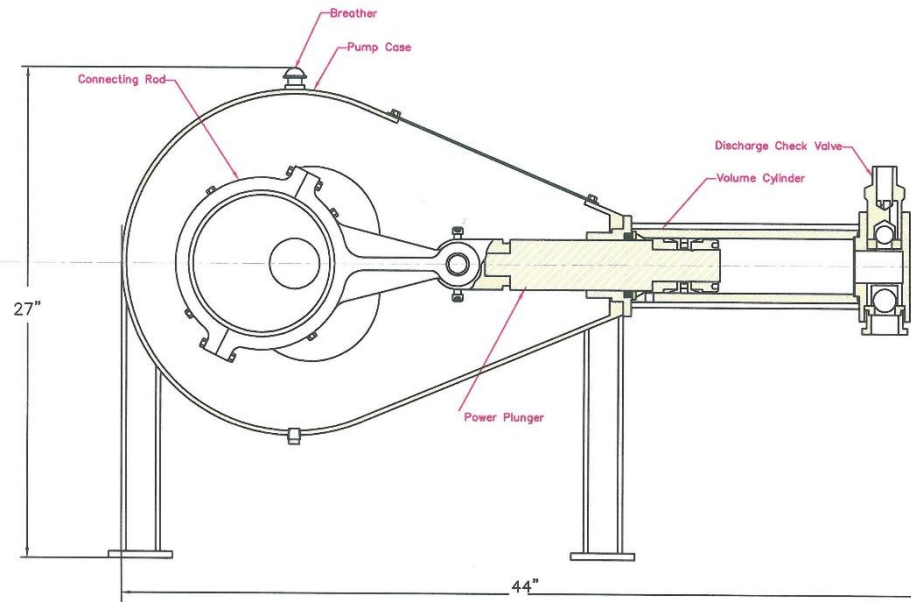
MAC P-48



MAC P-68



HIGH PRESSURE VOLUME PUMPS (P38 – P 48 – P68)



McFarland High Pressure-Volume Pumps for

HYDROSTATIC TESTING

CHEMICAL INJECTION

HIGH PRESSURE PUMPING

BATCH INJECTION

Our qualified team of pump experts will assist you with the specification, planning, selection, as well as with the installation and operation of your pump projects.

HYDROSTATIC TEST UNITS- CUSTOM FABRICATED

- McFarland High Pressure Pumps
- Centrifugal Volume Pumps
- Motor or Engine Powered
- Single or Double Clutch
- Skid, Trailer or Truck Mounted
- Transmission, Chain, Belt, or Hydraulic Drive
- Tanks, Manifolding, and other Testing Accessories



McFarland Pump Group

921 Seaco Court, Deer Park, TX 77536

Tel: 1-713-864-3366 / Fax: 1-713-864-3252

Email: sales@mcfarlandpump.com , www.mcfarlandpumpgroup.com

921 Seaco Court, Deer Park, TX 77536, USA

Tel: 1-713-864-3366 /

Fax: 1-713-864-3252

Email: sales@mcfarlandpump.com

www.mcfarlandpumpgroup.com